



The Third Evolution™



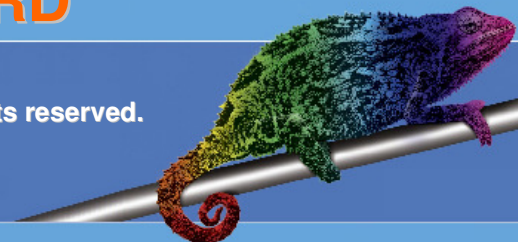
Programmable,
RGB-backlit
LCD Keyswitches

SCHEMATICS

Version 1.1

DS0000 DEMOBOARD

© 2006 copyright [E³] Engstler Elektronik Entwicklung GmbH. All rights reserved.

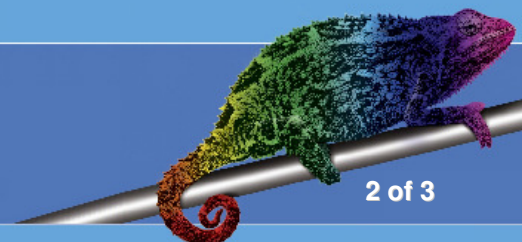
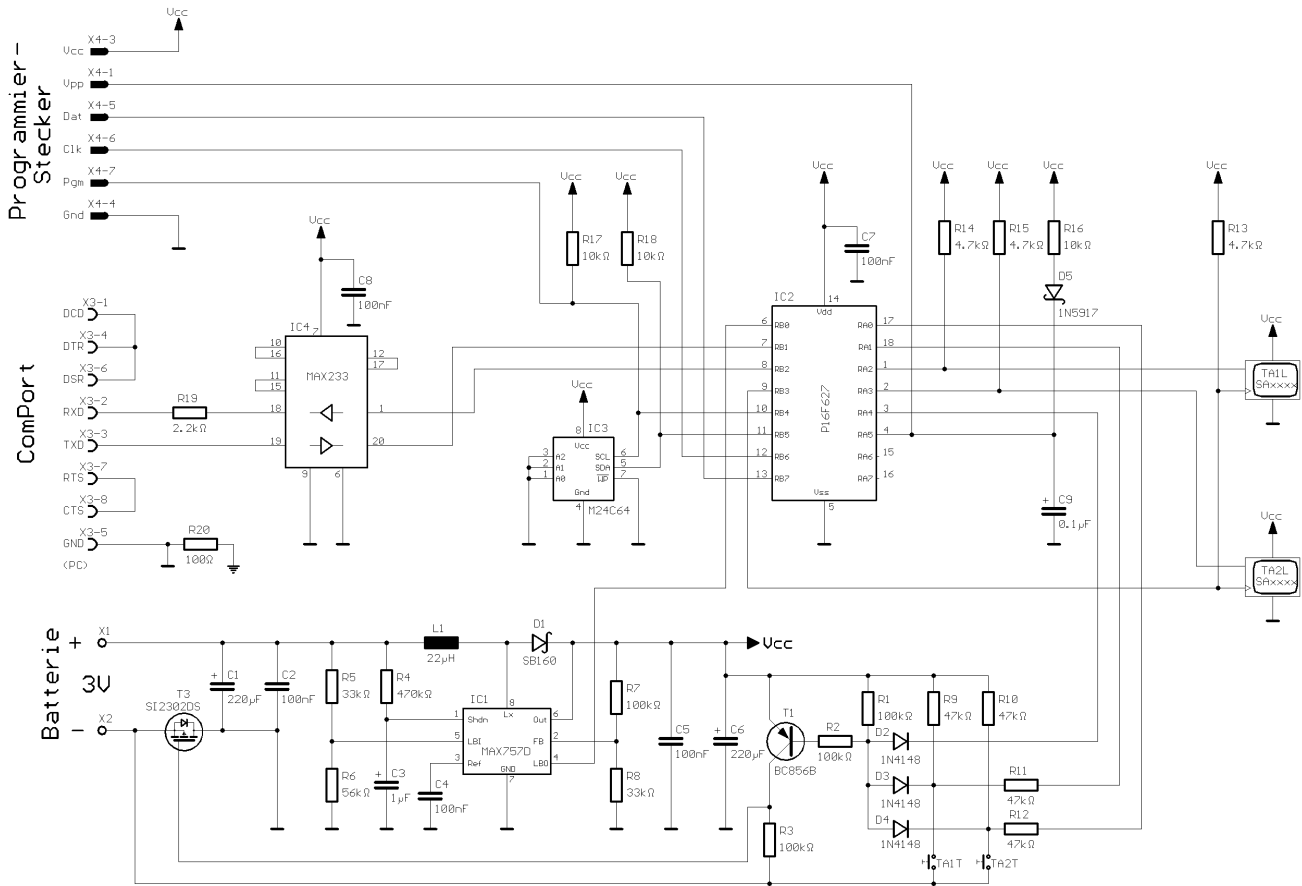


DS0000 DemoBoard

Schematics

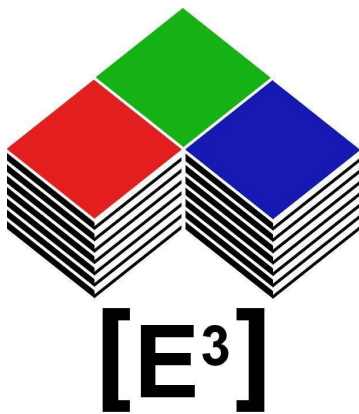


Schematics DS0000 DemoBoard





Contact Information



[E³]
Engstler
Elektronik
Entwicklung
GmbH

Industriering 7
63868 Grosswallstadt
Germany

Phone: +49 (0) 6022 262570
Fax: +49 (0) 6022 262571
E-Mail: info@e3-keys.com

